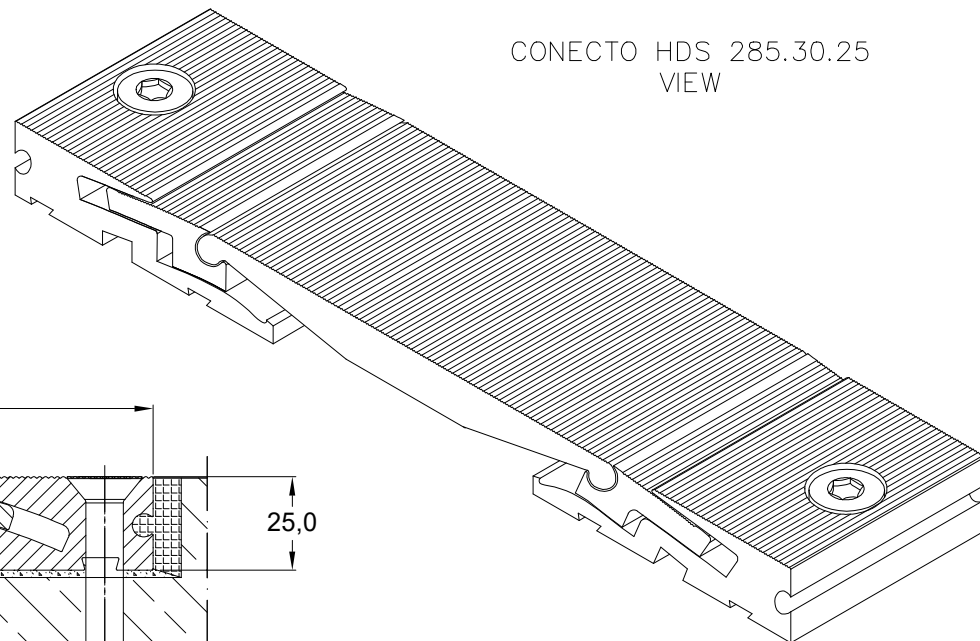


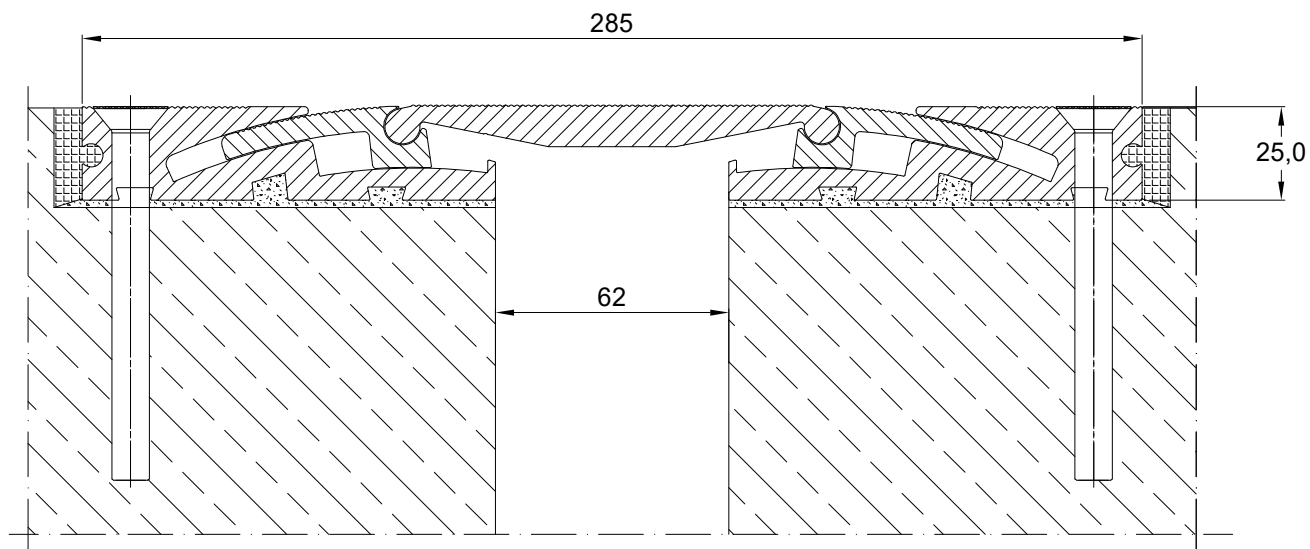
INFORMATION TABLE

| Type of profile | Visible element [mm] | Joint width [mm] | Height of profile [mm] | Material | Load bearing capacity lorris (DIN 1072) [kN] | Load bearing capacity forklift trucks (DIN 1055) [kN] | Load bearing capacity vehicles with solid plastic tyres [kg/mm] | Movements horizontal/vertical [mm] |
|-----------------|----------------------|------------------|------------------------|----------|--|---|---|------------------------------------|
| HDS 285.30.25   | 285                  | 62               | 25                     | Aluminum | 600  | 130   | 15  | 60(±30)/30(±20)                    |

CONECTO HDS 285.30.25  
VIEW



CONECTO HDS 285.30.25  
SECTION



Expansion joint  
Conecto HDS 285.30.25

Conecto Profiles Sp. z o.o.  
ul. Przemysłowa 39  
61-541 Poznań  
www.conecto-profiles.com



|                      |                      |   |
|----------------------|----------------------|---|
| ROZMIAR / SIZE<br>A3 | SKALA / SCALE<br>1:1 | Wszystkie wymiary podano w [ mm ]<br>All dimensions in [ mm ] |
|----------------------|----------------------|---|

|                    |                          |                    |                 |            |
|--------------------|--------------------------|--------------------|-----------------|------------|
| PROJEKT<br>PROJECT | ZŁOŻENIE<br>SUB ASSEMBLY | RYSunEK<br>DRAWING | ARKUSZ<br>SHEET | WER<br>REV |
| --                 | --                       | 01                 | 1 Z<br>OF 1     |            |