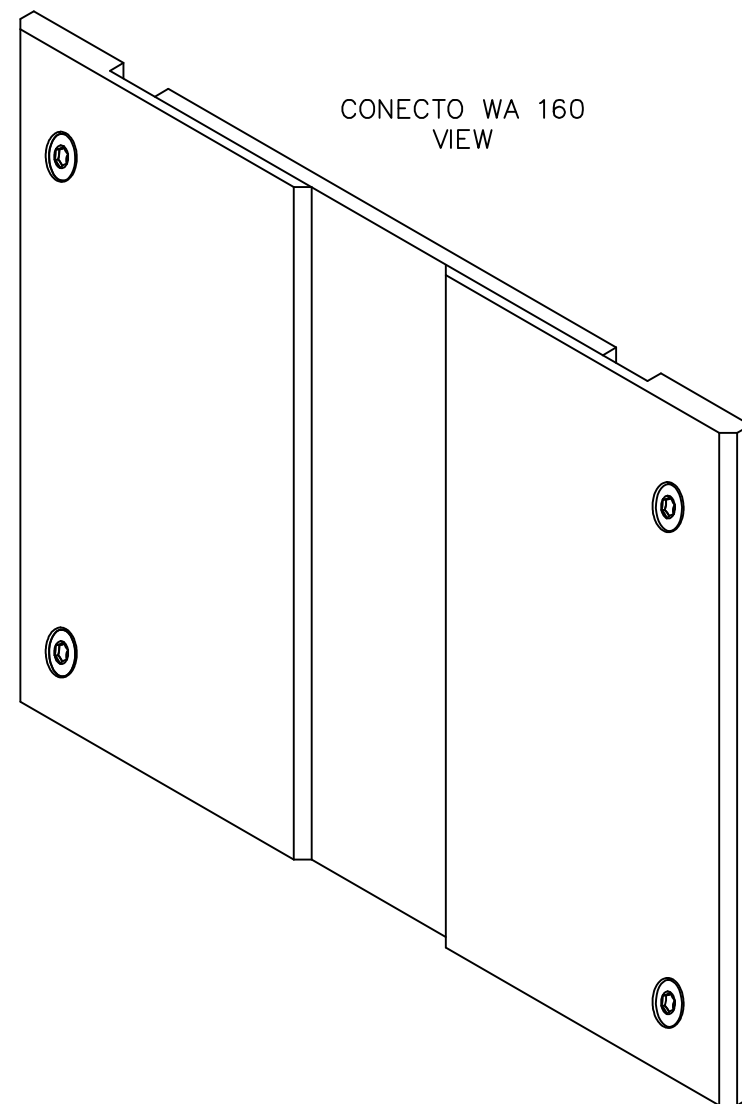
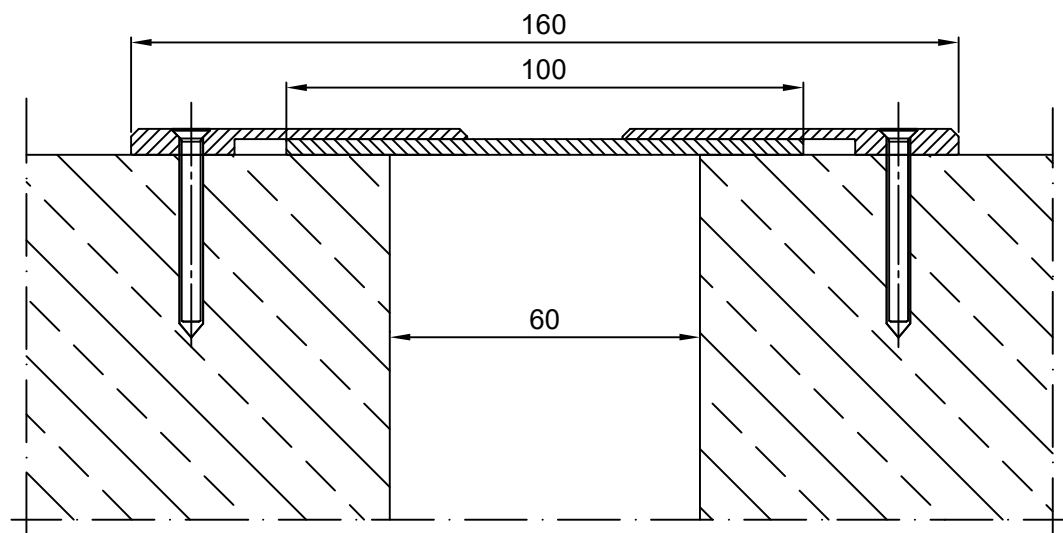


INFORMATION TABLE

Profile type	Visible element [mm]	Joint width [mm]	Method of installation	Installation height [mm]	Material type	Color	Horizontal compensation [mm]
WA 160	160	max 60	overlapping version	5	Aluminum, composite	RAL	±20

CONECTO WA 160 SECTION



Conecto WA 160

Conecto Profiles Sp. z o.o.
 ul. Przemysłowa 39
 61-541 Poznań
www.conecto-profiles.com



ROZMIAR / SIZE
A3

SKALA / SCALE
1:1

Wszystkie wymiary podano w [mm]
 All dimensions in [mm]

PROJEKT PROJECT

--

ZŁOŻENIE SUB ASSEMBLY

--

RYSUNEK DRAWING

01

ARKUSZ SHEET

1 Z 1

VER REV

1