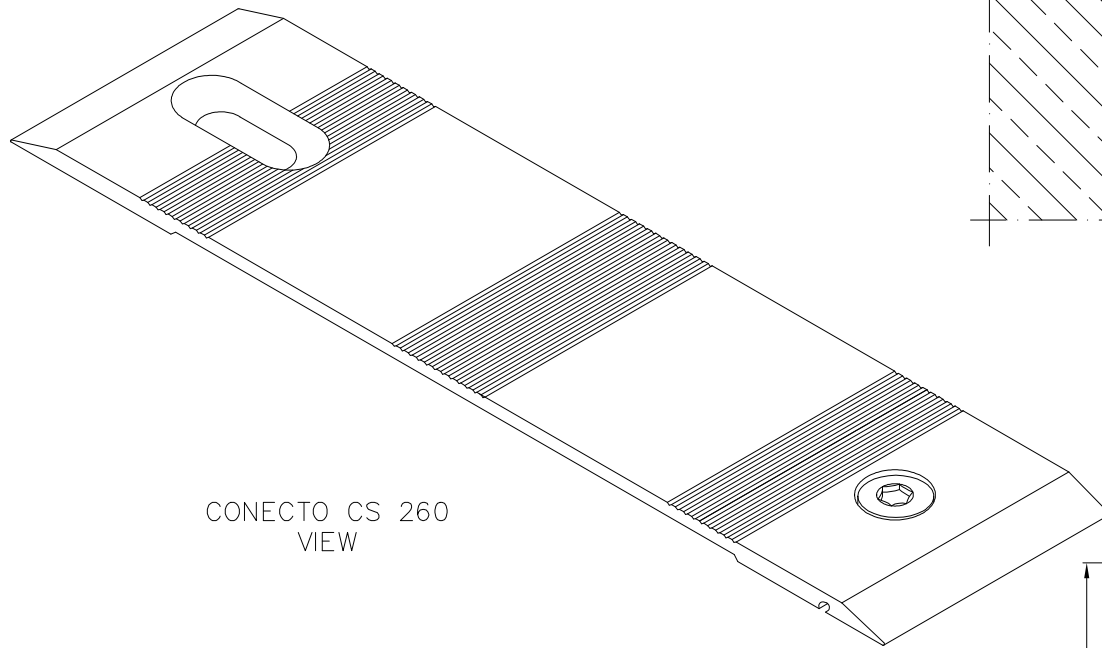


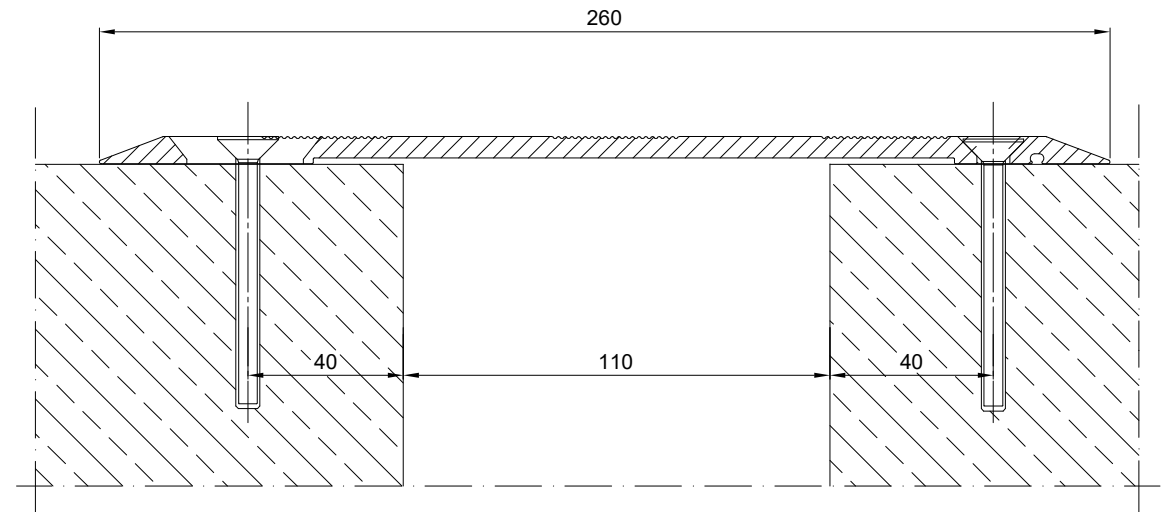
INFORMATION TABLE

Profile type	Visible element [mm]	Joint width [mm]	Installation height [mm]	Material type	Horizontal compensation [mm]
CS 260	260	max 110	7	Aluminium	±15

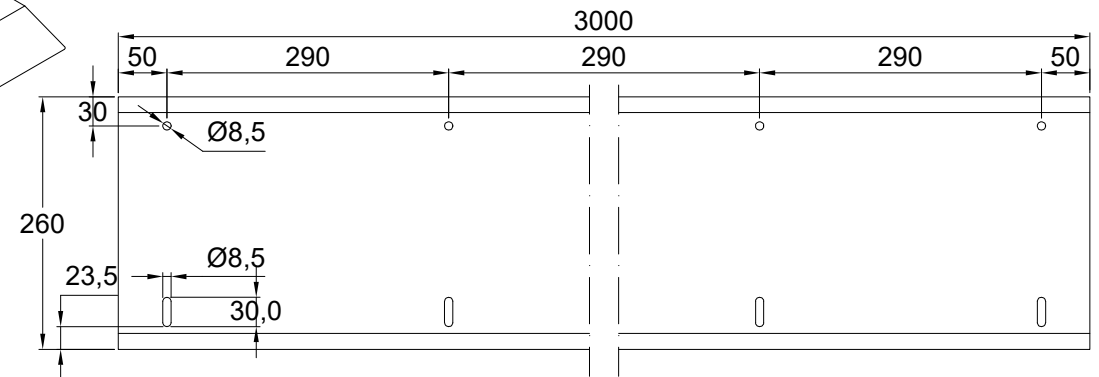


CONECTO CS 260  
VIEW

CONECTO CS 260  
SECTION



CONECTO CS 260 –  
PARALLEL BILATERAL HOLES  
TOP VIEW  
SCALE 1:4



Expansion joint Conecto CS 260  
parallel bilateral holes

Conecto Profiles Sp. z o.o.  
ul. Przemysłowa 39  
61-541 Poznań  
www.conecto-profiles.com



ROZMIAR / SIZE	SKALA / SCALE	Wszystkie wymiary podano w [ mm ] All dimensions in [ mm ]
--	--	

PROJEKT	PROJECT	ZŁOŻENIE	SUB ASSEMBLY	RYSUNEK	DRAWING	ARKUSZ SHEET	WER REV
--	--	--	--	01		1 Z OF 1	