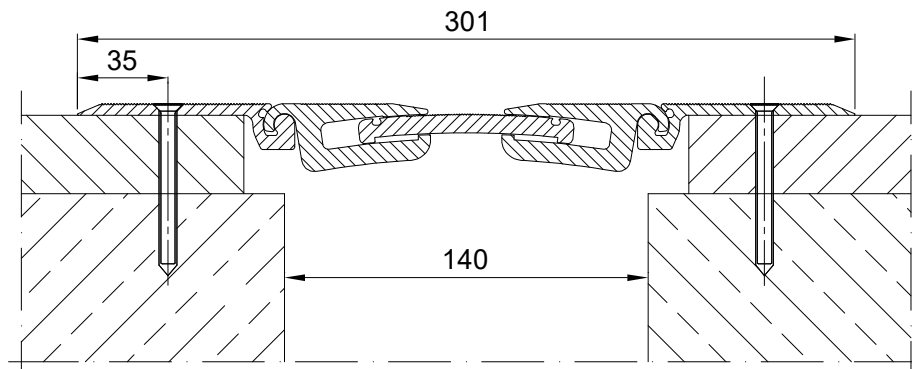


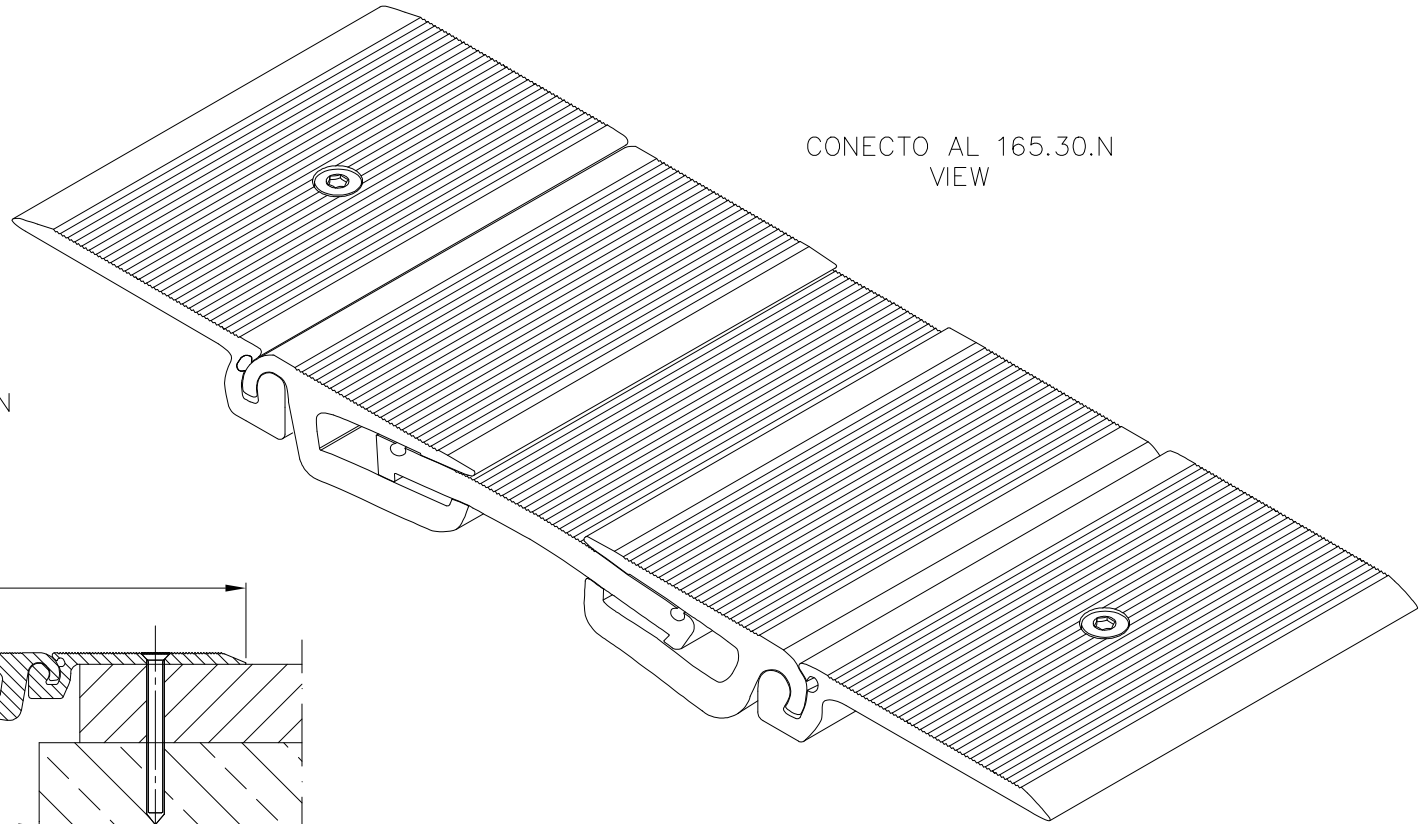
INFORMATION TABLE

Profile type	Visible element [mm]	Joint width [mm]	Base width [mm]	Installation height [mm]	Material type	Maximum load [kN]	Horizontal/vertical compensation [mm]
AL 165.30.N	301	max 140	-	overlapping version	Aluminum	70	60(±30) 62(±31)

CONECTO AL 165.30.N
SECTION
SCALE 1:2



CONECTO AL 165.30.N
VIEW



Expansion joint Conecto
AL 165.30.N

Conecto Profiles Sp. z o.o.
ul. Przemysłowa 39
61-541 Poznań
www.conecto-profiles.com



ROZMIAR / SIZE A3	SKALA / SCALE 1:1	Wszystkie wymiary podano w [mm] All dimensions in [mm]
----------------------	----------------------	---

PROJEKT	PROJECT	ZŁOŻENIE	SUB ASSEMBLY	RYSUNEK	DRAWING	ARKUSZ SHEET	VER REV
--	--	--	--	01	01	1 OF 1	